

GSTF100 Stainless Steel Draw Latch (With Safety Lock)

Features

- With safety lock to prevent accidental release
- Spring loaded latch provides constant holding tension for secure latching

Notes

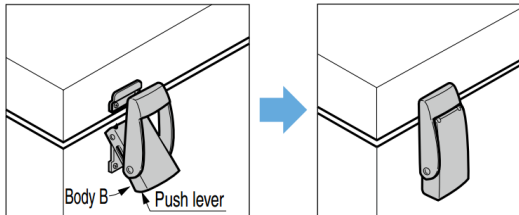
- The installation pitch between mounting plate ⑥ of body B and strike ⑦ shall be 32^{+5} . Other installation pitches may interfere with locking operation.
- Clamping force may vary depending on application environment.

Recommended Screws

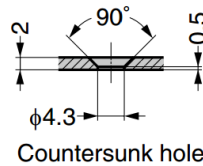
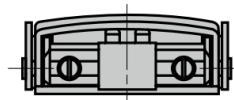
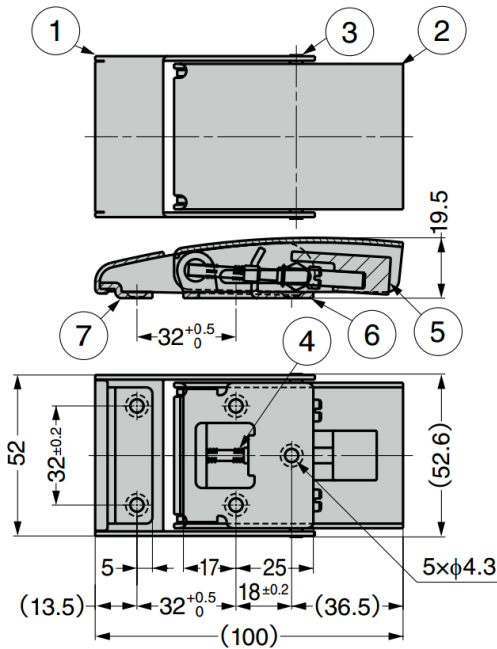
- M4 countersunk head screw



How to Operate



1. Releasing: push the lever while lifting the body B.
2. Locking: Just push down the body B to lock by the latch mechanism.



No.	Part Name	Material	Finish/Colour
①	Body A	Stainless Steel (SUS304)	Satin
②	Body B		
③	Shaft	Stainless Steel (SUS303)	-
④	Spring	Stainless Steel (SUS304)	
⑤	Push Lever	Nitrile Rubber (NBR)	Black
⑥	Mounting Plate	Stainless Steel (SUS304)	Barrel Polished
⑦	Strike		Satin

Part No.	Clamping Force		Load Capacity	
GSTF100	137.2 N	14 kg	784 N	80 kg